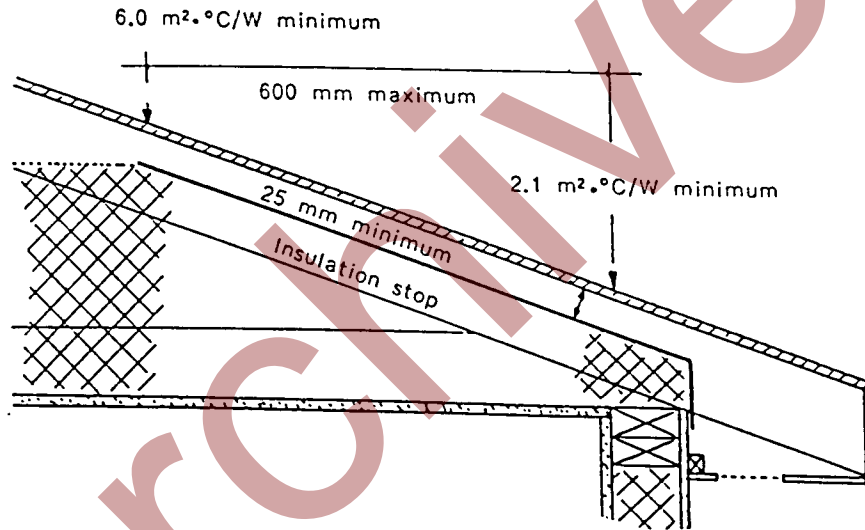


ROOF INSULATION FOR RESIDENTIAL BUILDINGS

RULING

If the slope of a roof is not less than 1:3 and insulation stops are installed in every space between roof framing members to ensure that there is a ventilation space not less than 25 mm between the upper surface of the insulation stop and the lower surface of the sheathing, the roof insulation thermal resistance value may be reduced from 6.0 m²·°C/W at a location not more than 600 mm from the inside face of the exterior wall framing to a value of not less than 2.1 m²·°C/W directly above the inside face of the exterior wall framing. The roof insulation shall extend over the exterior wall plates.



If the slope of the roof is less than 1:3 but not less than 1:6, heel trusses or an equivalent method shall be used to ensure that the insulation around the perimeter of the roof has thermal resistance values that would not be less than the values given in the preceding method at the same distance in from the exterior wall.

This Standata does not apply to roofs with a slope of less than 1:6.

This RULING applies throughout the Province of Alberta.

ISSUE OF THIS RULING IS AUTHORIZED UNDER ARTICLE 1.5.7.4. OF THE ALBERTA BUILDING CODE 1990 BY THE DIRECTOR OF BUILDING STANDARDS.

C.M. TYE

Safety Standards Branch

LABOUR

705 — 10808 - 99 Avenue, Edmonton, Alberta, Canada. T5K 0G2

Work and Safety Division

This item has been replaced by a more recent resource or the content may be otherwise out of date. It is provided for informational and research purposes.



Archived